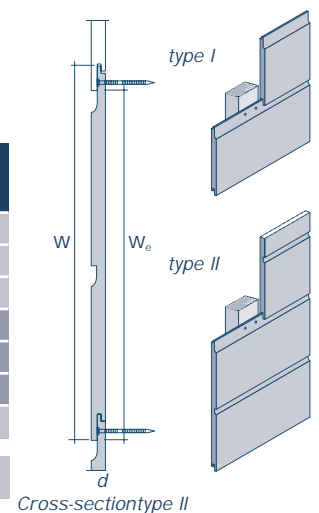


Rockpanel Lines Secret Fix for covered fastening tongue and groove (hidden fixing) is a durable rock fibre- based facade cladding. The rebated section is profiled so that invisible fastening is possible. Rockpanel Lines Secret Fix is finished with a water based coating on the visible side. Rockpanel for concealed fastenings is supplied in two widths, type I and II. Climate conditions determine the appearance of the Rockpanel Lines Secret Fix Natural, rapidly turning the board into a dark brown colour. Also a natural ageing effect can occur, as can be seen on some types of wood.



ROCKPANEL LINES SECRET FIX	DURABLE	
	TYPE I	TYPE II
Panel width in mm	140	279
Panel thickness	10	10
Panel dimensions	3050	3050
Thickness tolerance	+0,5/-0,5	
Length tolerance	+2/-2	
Width tolerance	+0,5/-0,5	
Nominal volumetric mass kg/m <sup>3</sup>	1.050 kg/m <sup>3</sup>	

DURABLE: Rockpanel panels for general applications.



**Finish**

The visible side is provided with a water based coating. The end edges require no finishing. For aesthetic reasons these edges can be coated with a water-based finish. (see Accessories).

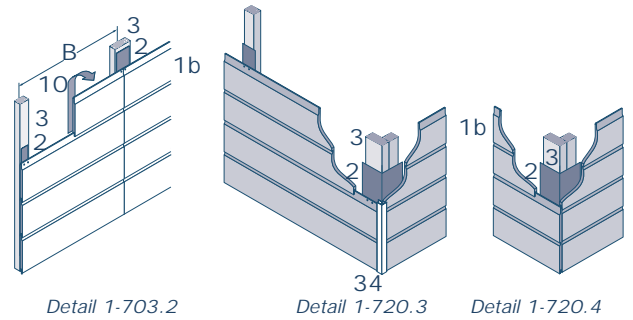
**Fastenings**

Use Rockpanel Stainless Steel plain head nails. For secret fixing, position the nail 11 mm down from the top edge of the board.

The ring nails can be applied by hand or using the Rockpanel Tacker. For the lathing use a minimum thickness of 28 mm.

Width 45 mm at an intermediate support and at least 70 mm at a vertical joint. Timber quality in accordance with BBA Agrément Certificate No.04/4168.

The stainless steel AISI 316 ring shank nails can also be used in a chlorine-rich environment such as the coast.



- 1b. Rockpanel Lines Secret Fix
- 2. Weather-resistant joint sealing strip
- 3. Timber battens centre-to-centre max. approx. 600 mm; dimensions 34 x 45 mm and 34 x 70 mm respectively at the seam (for the ring shank nails the minimum thickness is 28 mm)
- 10. Ventilation
- 34. External (capped) corner profile
- B. Maximum support distance: 600 mm. Span also dependent on the location of the building, the position of the panel on the facade and the height of the building.

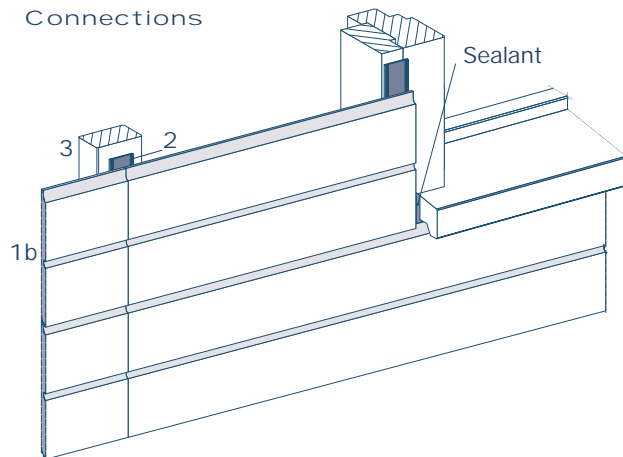
UK: Rockpanel Lines Secret Fix 10 mm, working width 279 mm								
No. of nails at int. lath	Span in mm	Height of facade in m	ventilation $\mu_e < 0,1 \%$					
			facade till site altitude 50 m					
			basic windspeed $V_b=25$					
			Closest distance to sea [km]					
			0 km	2 km	10 km	$\geq 100$ km		
Rockpanel ring shank nails 2,1/2,3 x 27 mm	double	400	$\leq 10$					
			$\leq 15$					
			$\leq 20$					
	double	500	$\leq 10$	a	a			
			$\leq 15$	a	a	a		

■ applicable area  
a: one or more of the basic requirements not fulfilled

### Non-horizontal application

With its tongue and groove connection system Rockpanel Lines Secret Fix can also be used vertically. Assemble the parts towards the prevailing wind direction so that wind and rain are not forced into the rebate. The structure at the rear must be water and airtight.

### Connections



### Sealant

When using putting as a sealant, the use of a durable putty that can be painted is recommended, e.g. Simson HybridTop.

### Ventilating background structures

The structure at the rear must be ventilated by means of ventilation openings of at least 1000 m<sup>2</sup> per m<sup>3</sup> at the top and bottom of the cladding.

The openings must be at least 5 mm deep and max. 10 mm; length e.g. 50 mm. The cavity behind Rockpanel Lines Secret Fix must be at least 28 mm.

### Colour fastness/UV resistance

The colour changes of various colours are determined in an artificial weathering apparatus Xenotest 1200 U. After 3000 hours of exposure to UV light and intervals of rain, the colour changes are determined in accordance with EN 20105-A02 and A03.

The results expressed in grey scale are:

- Light Ivory 4-5
- Fir Green 4-5
- Pure White 4

### Physical properties

Dimensional stability length/width EN 438-2:

Dimensional stability (m/m°C) 11x10<sup>-6</sup>

Dimensional stability per 10% change RH (m/m) 8x10<sup>-5</sup>

Water uptake via the sawn edge after 28 days:

- at 20°C and 65% RH: < 1.3%
- at 2°C and 90% RH: < 0.2%

### Fire properties

Anticipated classification by firetest of Rockpanel Lines Secret Fix:

- EURO fire classification: B
- Smoke development rate Smogra: s2
- Burning particles: d0

This anticipated classification is based on the experience:

- fixing panels onto vertical timber battens: 400 mm
- Type of fastening: Rockpanel nails or screws
- Vertical joint sealing: EPDM self-adhesive foam gasket
- Ventilated or Non-ventilated: Ventilated

### Mechanical properties

Characteristic bending tensile strength in N/mm<sup>2</sup>

EN 310 and EN 1058: f<sub>05</sub> ≥ 27

Failure bending strength in N/mm<sup>2</sup> EN310 ≥ 9

After statistic module bending, in statistic

N/mm<sup>2</sup> EN 310, E<sub>05</sub> 3380

### Workability

Rockpanel Lines Secret Fix can easily be sawn with tools with a 300 mm Ø 48 width tooth circular saw. For sawing recesses of contours a jigsaw with a toothed blade with tungsten particles can be used (e.g. Bosch type T150 RIFF or AEG type K50:932-213232).

### Storage

Store Rockpanel Lines Secret Fix in a dry place on flat pallets. Do not place more than 2 pallets on top of each other. A foam layer is placed between the visible sides of the rebated sections.

### Rockpanel accessories

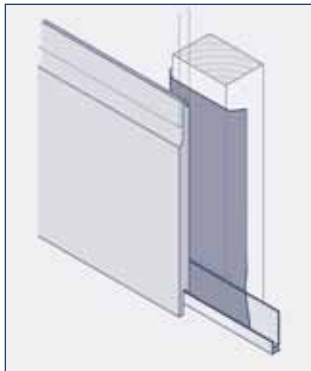
Ring shank nails: Rockpanel stainless steel AISI 316 ring shank nails 27 mm long

Joint gasket: ■ EPDM self-adhesive foam gasket  
width 36 mm:  
width 60 mm

Edge paint: Rockpanel edge paint can be used

Profiles: External (capped) corner profile

With Rockpanel Lines Secret Fix, the first section is placed on a Aluminium Starter trim profile.



Aluminium Starter Trim

#### Consumption of fasteners

The table sets out the indicative consumption of fasteners in battens centre-to-centre approx. 600 mm and section of 3050 mm.

Type of fastener	No. of fasteners at battens	Average use per m <sup>2</sup>	
		type I	type II
Ring shank nail 2,1/2,3 x 27 mm	double	-	12
	single	15	8

#### Colours

Rockpanel Lines Secret Fix is supplied as standard in 5 RAL-colours:

RAL 1015 Light Ivory

RAL 6009 Fir Green

RAL 8028 Terra Brown

RAL 9005 Jet Black

RAL 9010 Pure White

Other RAL/NCS colours can be supplied as of 300 m<sup>2</sup>. Rockpanel Lines Secret Fix can also be supplied in a basic version provided with a primer coating. These can be painted on site with various water born paint systems. Rockpanel has summarised these systems and the overview can be requested. Rockpanel Lines Secret Fix is also available in Natural Design for the exact product information consult Rockpanel.

#### United Kingdom

Rockwool Rockpanel B.V.

Wern Tarw, Pencoed,

Bridgend CF35 6NY

Phone 01656 - 86 32 10

Fax 01656 - 86 36 11

E-mail [info@rockpanel.co.uk](mailto:info@rockpanel.co.uk)

[www.rockpanel.co.uk](http://www.rockpanel.co.uk)

#### Maintenance

If, for example at ground level, soiling occurs as a result of dirty splashed water, this can be easily cleaned off with a car shampoo or an all-purpose cleaner in the solution indicated on the pack.

Any stubborn dirt such as bitumen spatters can be removed with white spirit. Always follow this up with sufficient water and cleaning agent.

Felt-tip pen inscriptions and/or paint can be removed with a special non-aggressive cleaning agent.

#### Suppliers

All Rockpanel distributors.

All accessories such as screws, nails, adhesive, joining strip, profiles etc can be ordered via the Rockpanel distributors. Edge paints via Plastestrip Profiles (tel: 0172674771).

#### Distribution

Rockpanel Lines Secret Fix can be obtained from all Rockpanel distributors in the UK.

May 2007 edition. All previous publications are hereby superseded. Subject to amendment. All details are intended as general information about our products and their application possibilities and are not intended as a guarantee of particular properties of these products. No rights can therefore be derived from the contents of this edition. © 2007